



Double Ridged Horn Antenna

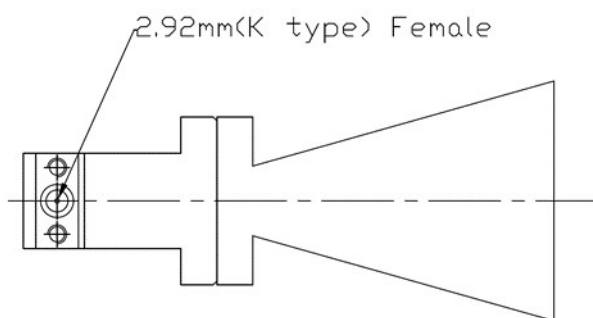
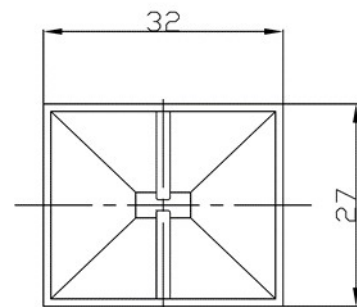
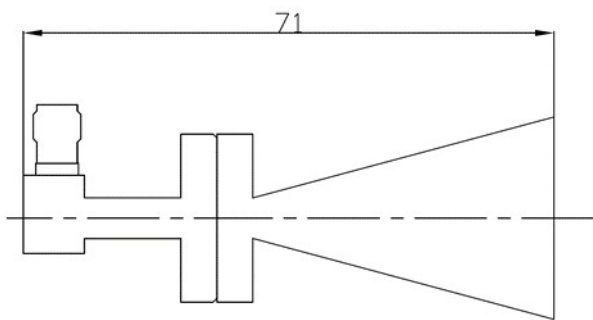
Specification

Model : MDH1840

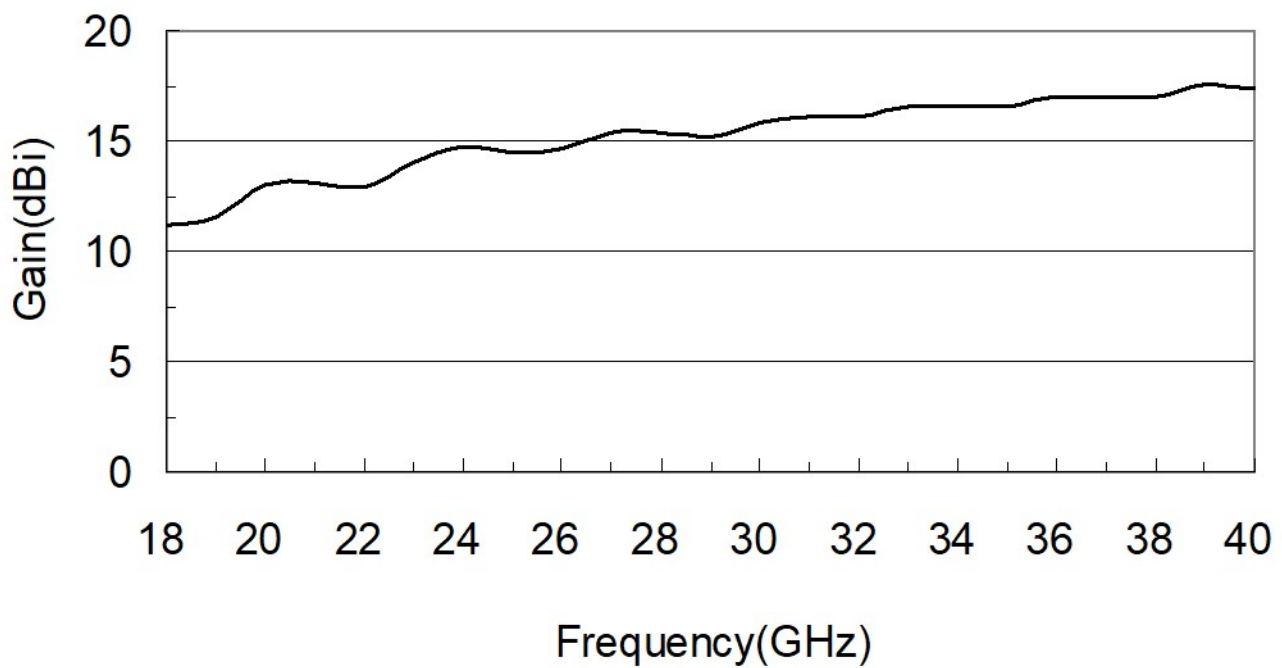


Frequency Range(GHz)	18 - 40
Gain(dB)	15 Typ.
Polarization	Linear
VSWR	2.0:1 Typ.
Connector	2.92mm (K)- Female
Power Handling(W)	20 Max. CW
Net Weight(Kg)	0.08 Around
Size(mm)	32x27x71

Outline Drawing (mm)



Antenna Gain (typ.)



Radiation Patterns (typ.)

